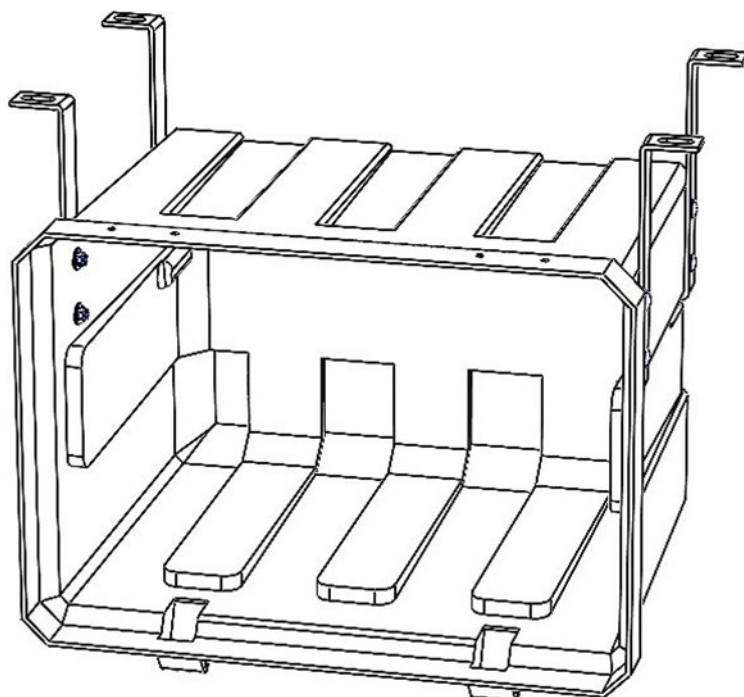
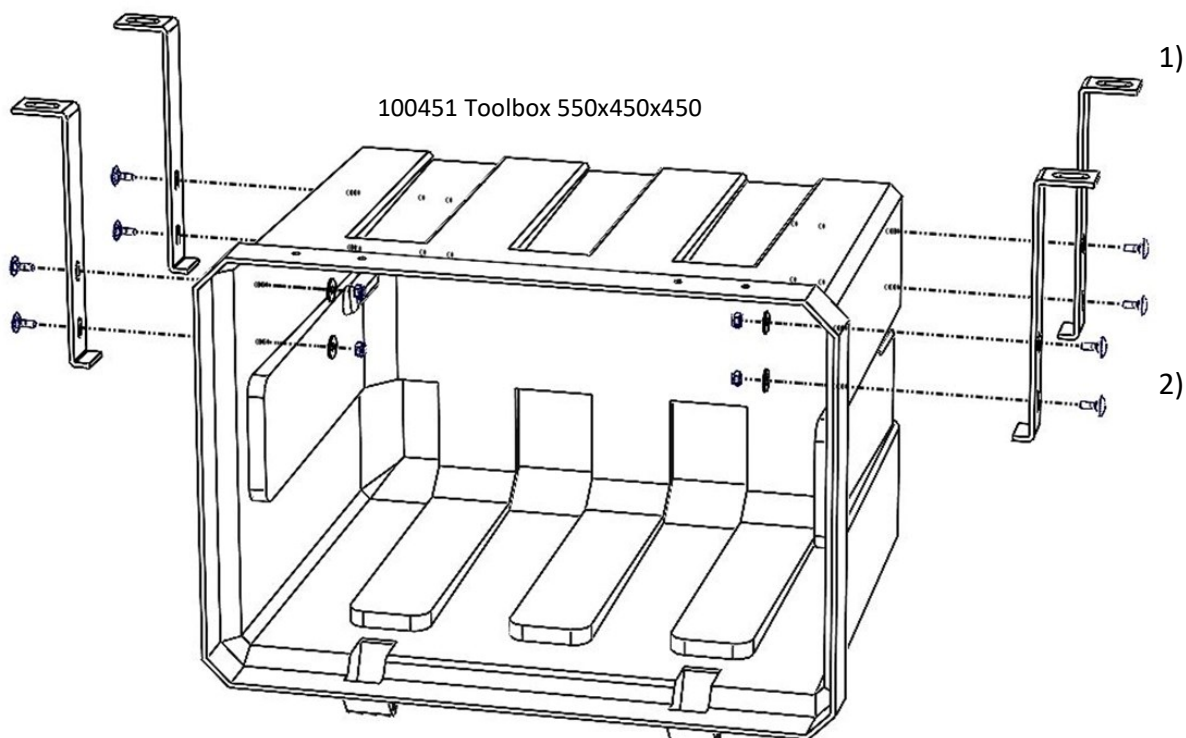





INSTALLATION INSTRUCTIONS

102827 Installation kit SL4 (vertical) for

100451 Toolbox 550x450x450

100453 Toolbox 700x300x300 L



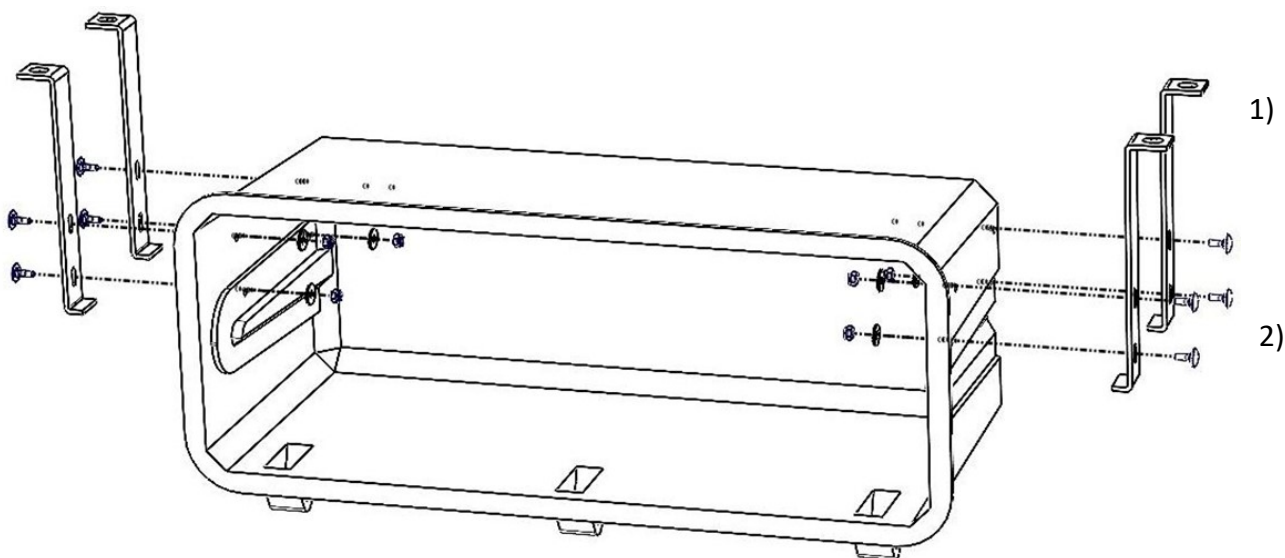
Pos	Qty	Part	
1	4 x	Z-bracket 218mm	
2	8 x		Square Neck Bolt M6x16
2	8 x		Nut Nyloc M6
2	8 x		Washer M6x18




INSTALLATION INSTRUCTIONS

102827 Installation kit SL4 (vertical) for

100451 Toolbox 550x450x450

100453 Toolbox 700x300x300 L



Pos	Qty	Part	
1	4 x	Z-bracket 218mm	
2	8 x		Square Neck Bolt M6x16
2	8 x		Nut Nyloc M6
2	8 x		Washer M6x18

